

Common Vibe Art House

Custom Art Commission Request Form

Art by Annie Espejo

Date of Request: _____

Purchaser: _____

Address: _____

Phone Number: _____

Email: _____

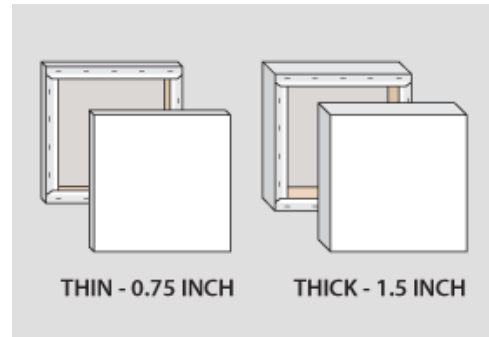
Art Request Details

Canvas Size: _____ Thickness: (circle one):

Format (circle one): Landscape Portrait

Description of Art Requested

Please include any theme, concept, color schemes,
and/or if a reference picture was provided:



Varnish Finish (circle): Gloss Satin Matte

TERMS AND CONDITIONS: I, the artist will provide you a quote for your request after receipt of this questionnaire. A deposit of 50% will be required in order to schedule studio time for your painting. The final payment will be due at time of pick up/delivery. Your painting will be an original, hand painted work of art. Please know that your painting will be a one-of-a-kind and therefore cannot be an exact photo representation of any previous painting; however every artistic effort will be made to assure your painting commission will be a successful work of art.

Copyright: I, the Artist retain the copyright to all works commissioned by the Purchaser, including all reproduction rights and the right to claim statutory copyright. No artwork may be reproduced or altered without the written consent of the

Please feel free to contact me if you have any additional questions. Thank you for your business and I look forward to creating this special piece for you!

Annie Espejo

Common Vibe Art House

commonvibearthouse@gmail.com